

## Class 8501 Type C Heavy Duty Open Frame Power Relays

Retain for future use.



8501CDO16V51

### Features and Applications

8501C relays are ideally suited for controlling single-phase motors, electric heaters, pumps, conveyors, material handling equipment, and other applications.

- 40 A contact rating
- Motor load (hp) ratings
- Durable open-frame construction
- UL Listed
- CSA certified
- CE approved
- RoHS compliant

Table 1: Selection Table and Application Data

Selection Table					Application Data							
Contact Arrangement	Number of Fixed Contacts		AC Operated Coil Open Type	DC Operated Coil Open Type	Maximum Contact Voltage	Resistive Ampere Rating 75% Power Factor		Maximum Single-phase Horsepower			Maximum Coil Power Consumption	
	N.O.	N.C.				277 Vac / 28 Vdc	600 Vac	120 Vac	230 Vac	600 Vac	AC Coil	DC Coil
<b>General Purpose</b>												
SPST	1	0	CO6▲	CDO6▲	600	40	10	2	2	2	10 VA	4 W
DPST	2	0	CO7▲	CDO7▲	600	40	5	2	2	2	10 VA	4 W
SPST	0	1	CO8▲	CDO8▲	600	40	10	2	2	2	10 VA	4 W
SPDT	1	1	CO15▲	CDO15▲	600	40	5	2	2	2	10 VA	4 W
DPDT	2	2	CO16▲	CDO16▲	600	40	5	2	2	2	10 VA	4 W
<b>DC Switching (includes Blowout Magnet)</b>						<b>110 Vdc</b>	<b>220 Vdc</b>					
SPST	1	0	CO21▲	CDO21▲	500	20	8	N.A.			10 VA	4 W
DPDT	2	2	CO22▲	CDO22▲	325	10	4				10 VA	4 W

▲ Voltage codes must be specified to order this product. Refer to standard voltage codes listed in Table 3 and insert as shown in Table 5 How to Order.

Table 2: Operating Data

<b>Operating Voltages / Voltage Range</b>	AC coils – 6 through 480 volts, + 10/-15% of nominal at 25 °C DC coils – 6 through 110 volts, + 10/-20% of nominal at 25 °C
<b>Coil Duty</b>	Continuous duty rated coils. (Non-replaceable)
<b>Operating Temperature Range</b>	AC: -67 °F to +131 °F (-55 °C to +55 °C) DC: -67 °F to +131 °F (-55 °C to +55 °C)
<b>Storage Temperature Range</b>	-67 °F to +212 °F (-55 °C to +100 °C)

### Approvals:



File E78351  
CCN NLDX



File 218139  
Class 3211 04



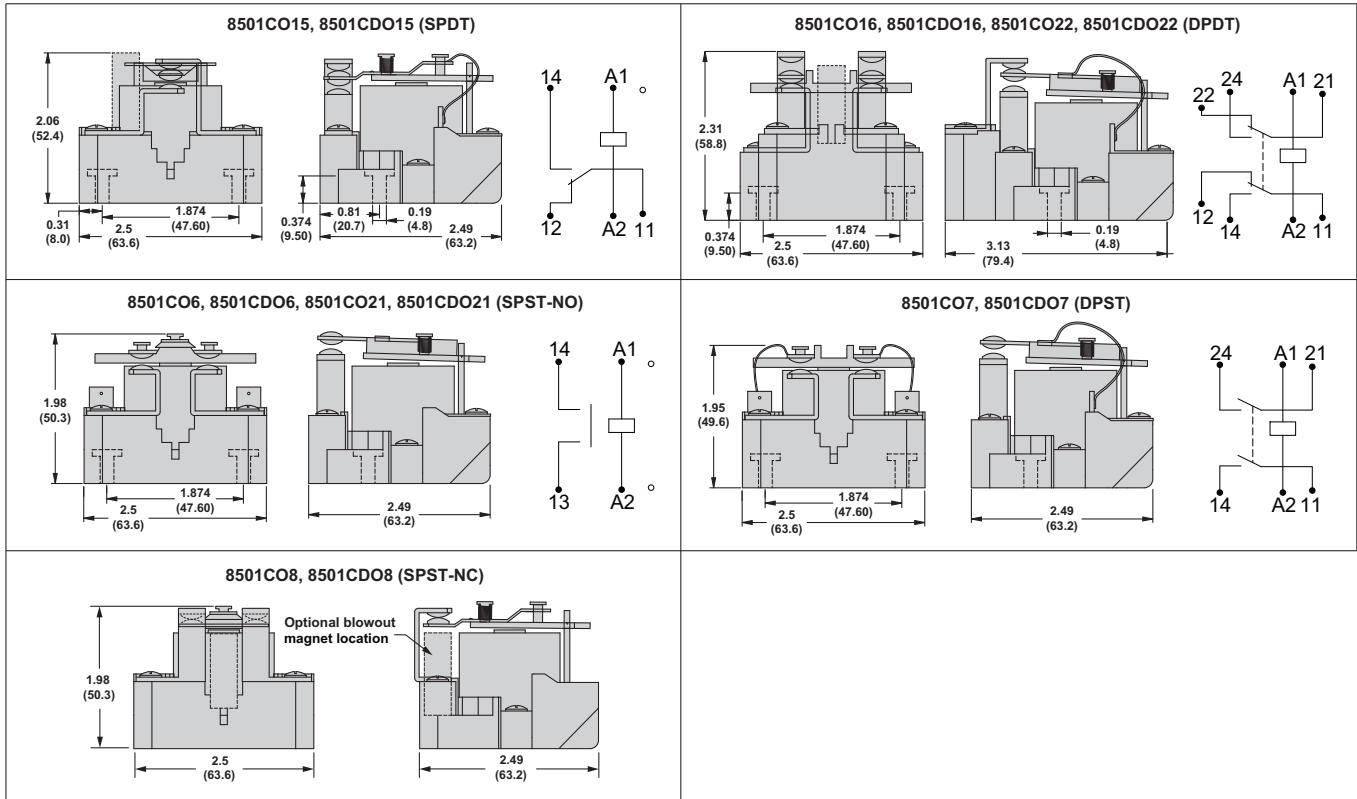
IEC 60947-4-1

Table 3: Voltage Codes and Stocked Relays

Class 8501 Type	AC Voltage—50/60 Hz								Class 8501 Type	DC Voltage			
	6	12	24	120	208	240	277	480		6	12	24	110
Voltage Code	V35	V36	V14	V20	V08	V24	V04	V29	Voltage Code	V50	V51	V53	V60
CO6		S	S	S	S	S	S	S	CDO6		S	S	
CO7		S	S	S	S	S	S	S	CDO7		S	S	
CO8			S	S	S	S	S	S	CDO8				
CO15			S	S	S	S	S	S	CDO15			S	
CO16		S	S	S	S	S	S	S	CDO16		S	S	S
CO21				S					CDO21			S	S
CO22				S					CDO22			S	S

Note: S = Stocked.

Approximate Dimensions and Wiring Diagrams



Accessories



9991UE1 Enclosure

Table 4: 9991 Enclosure

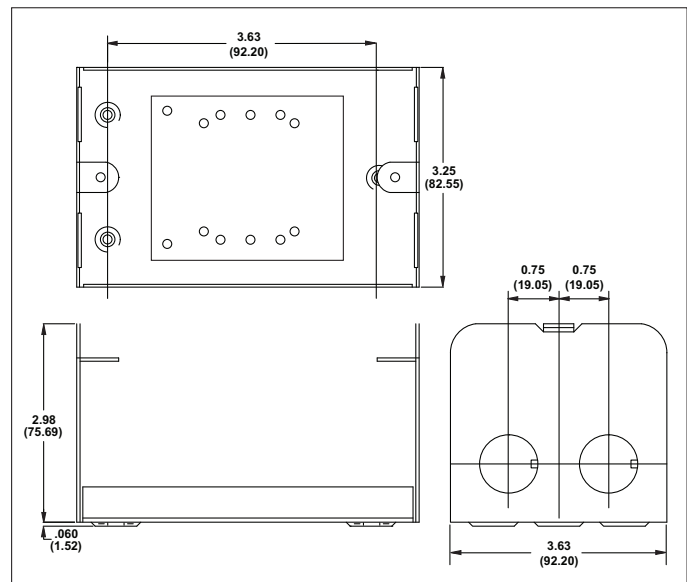
Type	Description
UE1	NEMA 1 sheet steel enclosure

How to Order

Table 5: How to Order

To Order Specify:	Catalog Number		
<ul style="list-style-type: none"> <li>Class Number</li> <li>Type Number</li> <li>Voltage Code</li> </ul> (See Table 3 on page 1)	Class	Type	Voltage Code
	8501	CO6	V20

Enclosure Dimensions



**Schneider Electric USA, Inc.**  
8001 Knightdale Blvd.  
Knightdale, NC 27545 USA  
1-888-778-2733  
www.schneider-electric.com

Electrical equipment should be installed, operated, serviced, and maintained only by qualified personnel. No responsibility is assumed by Schneider Electric for any consequences arising out of the use of this material.

Square D™ and Schneider Electric™ are trademarks or registered trademarks of Schneider Electric. Other trademarks used herein are the property of their respective owners.